

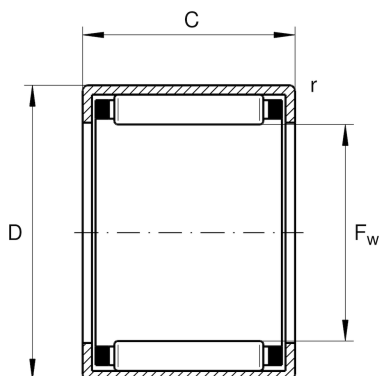
## HK4012

Drawn cup needle roller bearing open end

Schaeffler ID:  
0037376750000

Drawn cup needle roller bearings with  
open ends HK, to DIN 618/ISO 3245

### Technical information



#### Main Dimensions & Performance Data

$F_w$	40 mm	Under roller diameter
$D$	47 mm	Outside diameter
$C$	12 mm	Width
$C_r$	14,000 N	Basic dynamic load rating, radial
$C_{0r}$	24,300 N	Basic static load rating, radial
$C_{ur}$	3,250 N	Fatigue load limit, radial
$n_G$	6,600 1/min	Limiting speed
$n_{G \text{ Grease}}$	3,950 1/min	Limiting speed for grease lubrication
$n_{gr}$	5,200 1/min	Reference speed
	29.06 g	Weight

#### Dimensions

	SD40X47X4	Sealing ring
$C_1$	12 mm	Width, outer ring
$r_{min}$	0.8 mm	Minimum chamfer dimension
	G40X47X4	Sealing ring 2
	LR35X40X12,5	Suitable inner rings LR

#### Temperature range

$T_{min}$	-30 °C	Operating temperature min.
$T_{max}$	140 °C	Operating temperature max.